



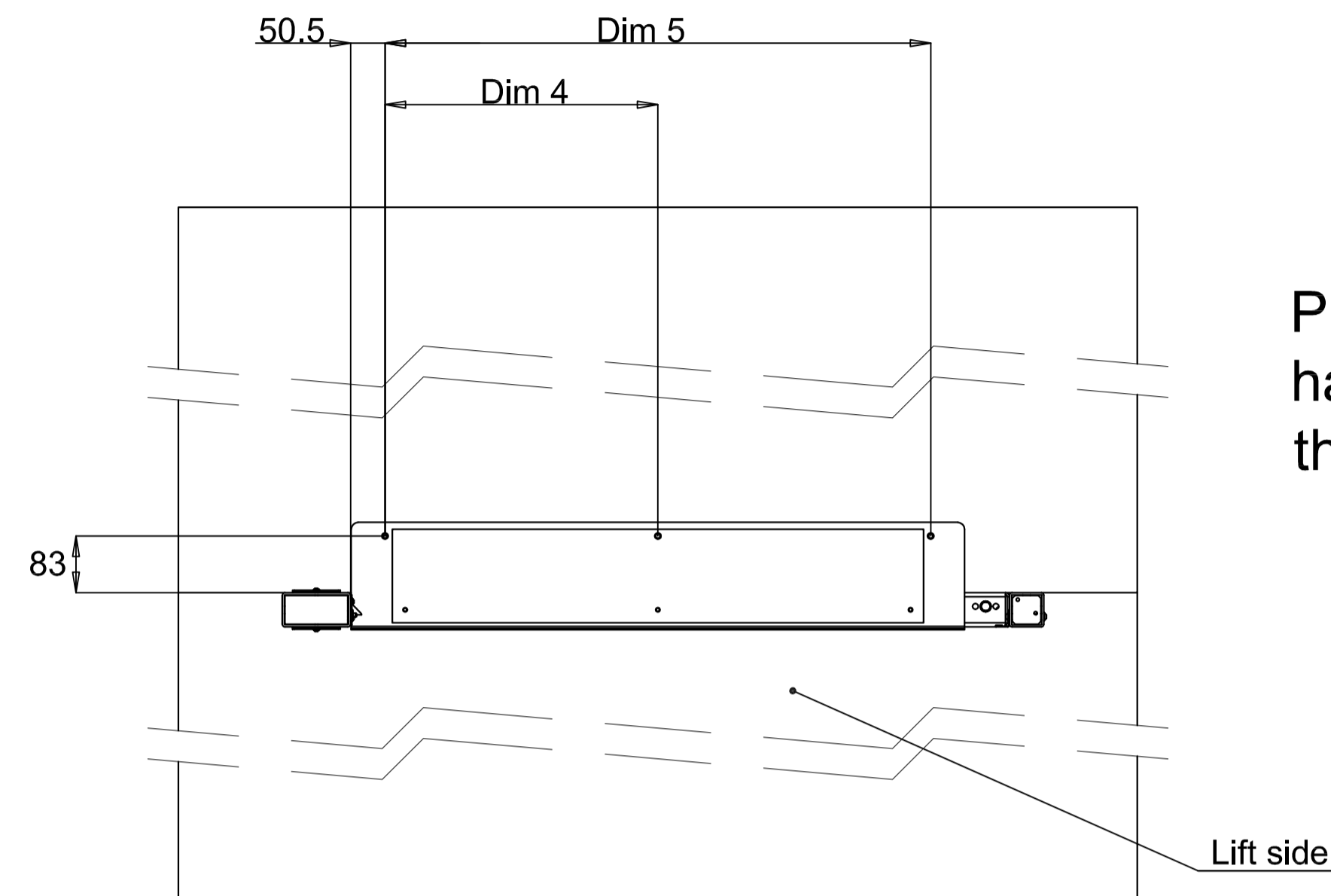
**Stannah**  
An independent family business since 1867

# Lowriser

## Low rise platform lift

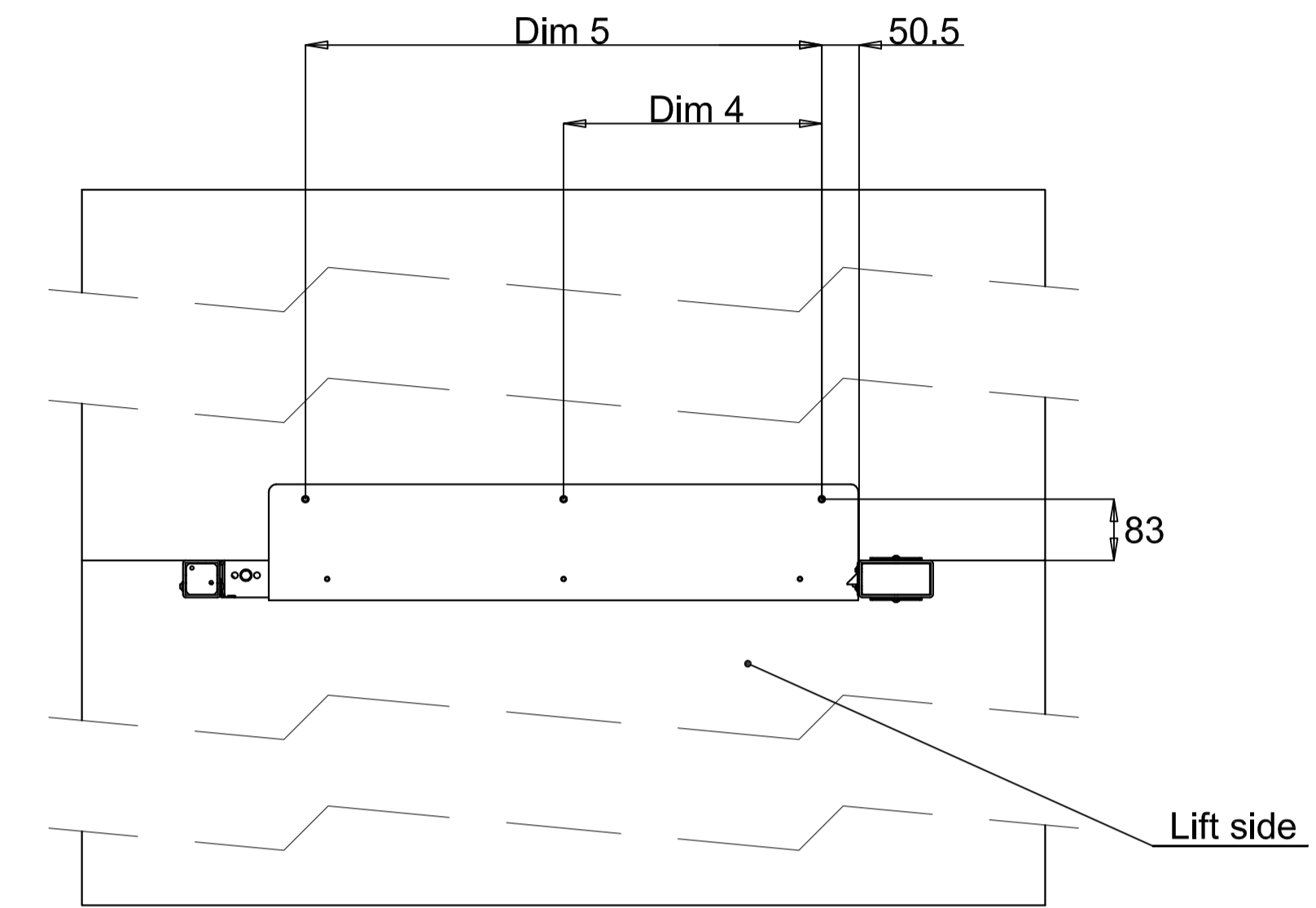
### Up to 1m

# Stannah

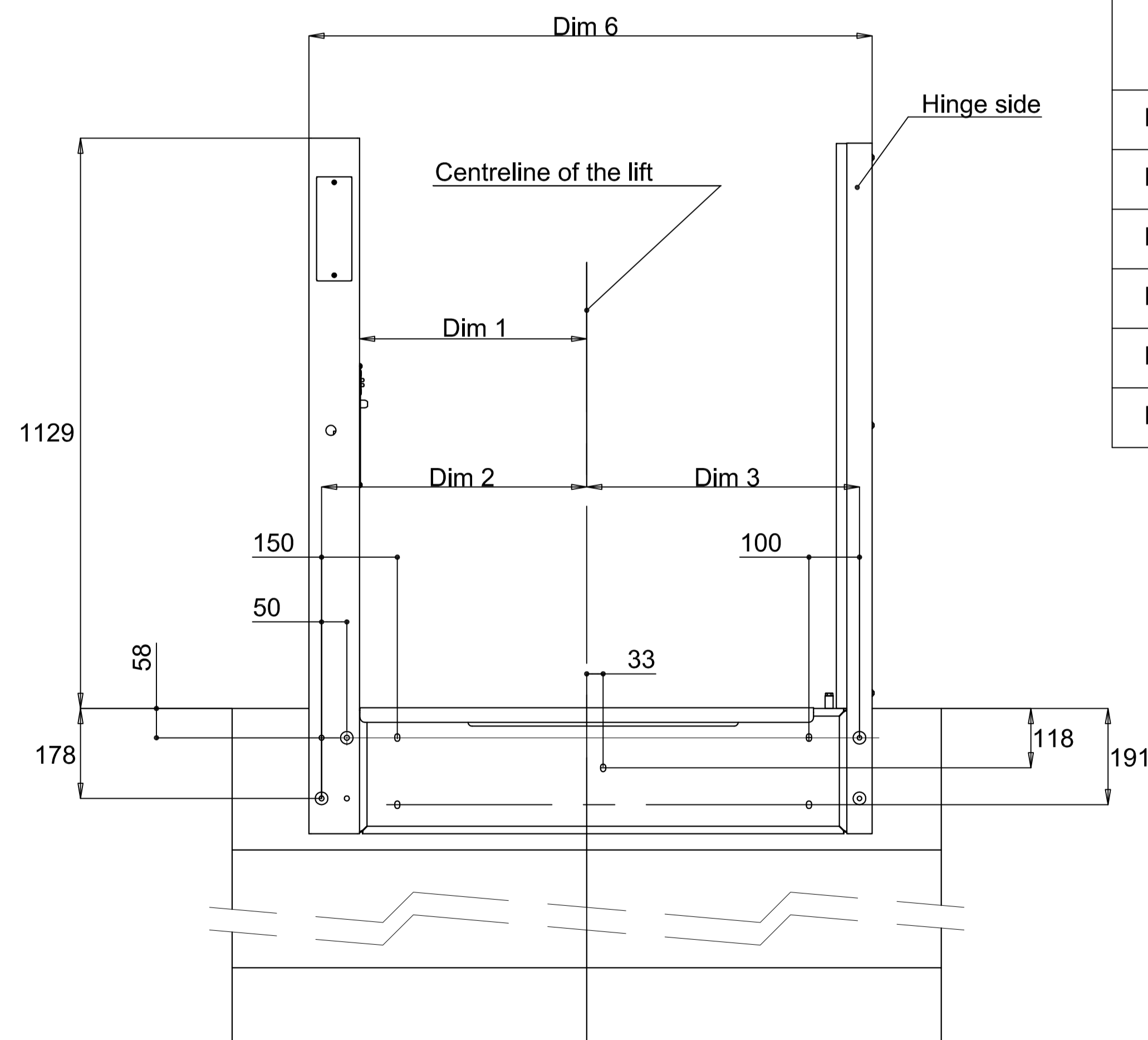


LH Threshold Gate Fixing Centres

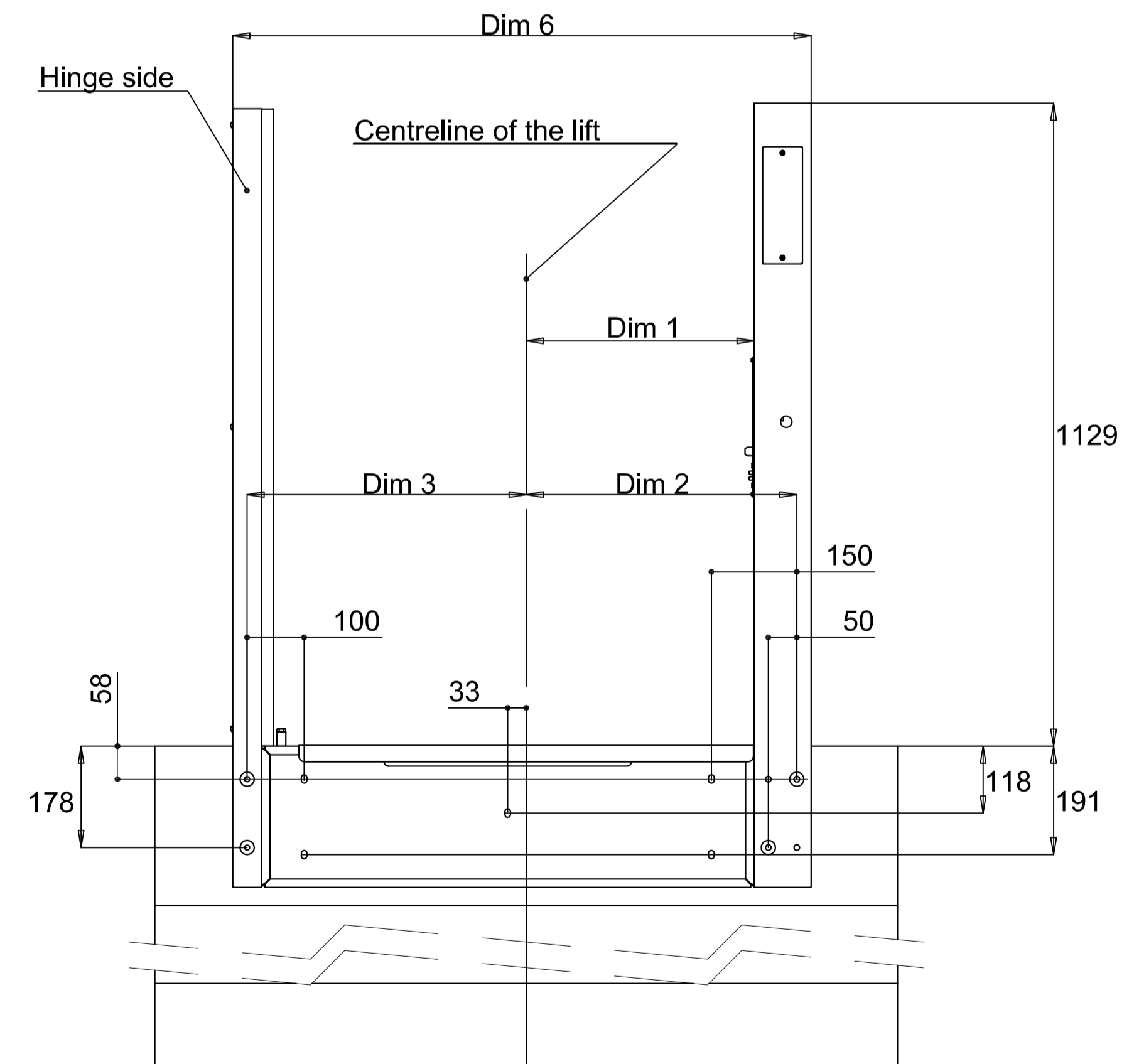
Please note the threshold gate is handed, by looking at the hinge side of the gate frame from the upper level.



RH Threshold Gate Fixing Centres



	LR800	LR900	LR1100
Dim 1	400	450	550
Dim 2	475	525	625
Dim 3	490	540	640
Dim 4	349.5	399.5	499.5
Dim 5	699	799	999
Dim 6	1015	1115	1315



**Waiver:**

This data sheet is for guidance only and must not be used for proper working drawings. Please contact Stannah Lifts for particular details before proceeding. Owing to our policy of continual improvement we reserve the right to alter specifications and dimensions without prior notice

**Stannah lifts Ltd.**  
Anton Mill, Andover, Hampshire. SP10 2NX  
**Tel: 01264 339090**  
**www.stannahlifts.co.uk**

Information sheet  
**LR 913**  
Rev A  
20.02.12